

rudolfstorz[®]

Wirbelsäulen-Instrumente | *Spine instruments*





CASPAR

1-10-740-12

Vertebra Spinalspreizer, rechts
kurze Zahnstange: 110 mm

*Vertebral distractor, right
short toothed bar: 110 mm*

1-10-742-12

Vertebra Spinalspreizer, rechts
lange Zahnstange: 130 mm

*Vertebral distractor, right
long toothed bar: 130 mm*



CASPAR

1-10-740-02

Vertebra Spinalspreizer, links
kurze Zahnstange: 110 mm

*Vertebral distractor, left
short toothed bar: 110 mm*

1-10-742-02

Vertebra Spinalspreizer, links
lange Zahnstange: 130 mm

*Vertebral distractor, left
long toothed bar: 130 mm*



CASPAR

1-10-744-02

Bohrbuchse, links,
mit Ferozellgriff

*Drill guide, left,
with phenolic handle*

1-10-744-22

Bohrbuchse, links, mit
schwarzem Radelgriff (PPSU)

*Drill guide, left, with black
Radel handle (PPSU)*



CASPAR

1-10-744-12

Bohrbuchse, rechts,
mit Ferozellgriff

*Drill guide, right,
with phenolic handle*

1-10-744-24

Bohrbuchse, rechts, mit
schwarzem Radelgriff (PPSU)

*Drill guide, right, with
black Radel handle (PPSU)*



CASPAR

1-10-746-02

Schraubendreher,
mit Ferozellgriff

*Screw driver,
with phenolic handle*

1-10-746-22

Schraubendreher, mit
schwarzem Radelgriff (PPSU)

*Screw driver, with black
Radel handle (PPSU)*



CASPAR

1-10-747-02	12 mm
1-10-747-04	14 mm
1-10-747-06	16 mm
1-10-747-08	18 mm

Schraube
Screw



CASPAR

1-10-748-02

Bohrer, Länge 14mm
Twist drill, length 14mm

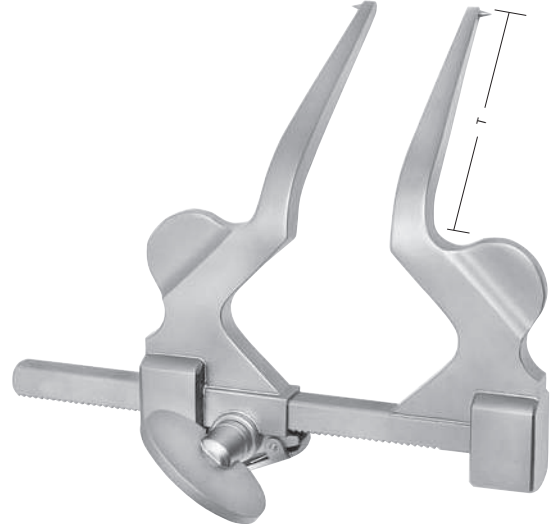
1-10-748-04

Bohrer, Länge 8mm
Twist drill, length 8mm



1-10-750-02 | T = 127 mm – 5"

Vertebra Spinalspreizer, Spreizweite 18 mm
Vertebral distractor, spreading width 18 mm



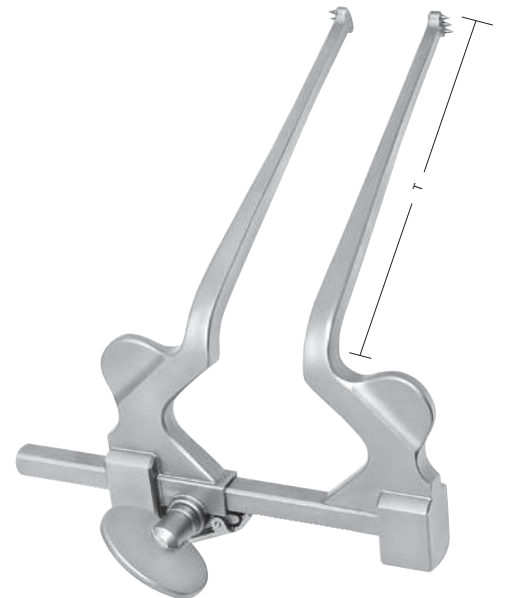
1-10-750-05 | T = 70 mm – 2¾"

Vertebra Spinalspreizer, Spreizweite 80 mm, eine Spitze
Vertebral distractor, spreading width 80 mm, one pointed tip



1-10-760-05 | T = 85 mm – 3⅜"

Vertebra Spinalspreizer, Spreizweite 70 mm, drei Spitzen
Vertebral distractor, spreading width 70 mm, three pointed tip



1-10-760-07 | T = 100 mm – 4"

Vertebra Spinalspreizer, Spreizweite 70 mm, drei Spitzen
Vertebral distractor, spreading width 70 mm, three pointed tip



CASPAR

1-10-790-05

Cervical Spreizer longitudinal, Länge: 170 mm
Longitudinal cervical retractor, length: 170 mm



CASPAR

1-10-780-05

Cervical Spreizer transversal, Länge: 105 mm
Transversal cervical retractor, length: 105 mm



	B – width	T – depth
1-10-783-05	24 mm	25 mm
1-10-783-10	24 mm	30 mm
1-10-783-15	24 mm	35 mm
1-10-783-20	24 mm	40 mm
1-10-783-25	24 mm	45 mm
1-10-783-30	24 mm	50 mm
1-10-783-35	24 mm	55 mm
1-10-783-40	24 mm	60 mm
1-10-783-45	24 mm	65 mm
1-10-783-50	24 mm	70 mm
1-10-783-55	24 mm	75 mm

Mittlere gezahnte Retraktor Valven
Medial toothed retractor blades



	B – width	T – depth
1-10-784-05	24 mm	25 mm
1-10-784-10	24 mm	30 mm
1-10-784-15	24 mm	35 mm
1-10-784-20	24 mm	40 mm
1-10-784-25	24 mm	45 mm
1-10-784-30	24 mm	50 mm
1-10-784-35	24 mm	55 mm
1-10-784-40	24 mm	60 mm
1-10-784-45	24 mm	65 mm
1-10-784-50	24 mm	70 mm
1-10-784-55	24 mm	75 mm

Feingezahnte seitliche Retraktor Valven
Medial toothed retractor blades



	B – width	T – depth
1-10-785-05	24 mm	25 mm
1-10-785-10	24 mm	30 mm
1-10-785-15	24 mm	35 mm
1-10-785-20	24 mm	40 mm
1-10-785-25	24 mm	45 mm
1-10-785-30	24 mm	50 mm
1-10-785-35	24 mm	55 mm
1-10-785-40	24 mm	60 mm
1-10-785-45	24 mm	65 mm
1-10-785-50	24 mm	70 mm
1-10-785-55	24 mm	75 mm

Stumpfe längslaufende Retraktor Valven
Blunt longitudinal retractor blades

	B – width	T – depth
1-10-781-05	19 mm	25 mm
1-10-781-10	19 mm	30 mm
1-10-781-15	19 mm	35 mm
1-10-781-20	19 mm	40 mm
1-10-781-25	19 mm	45 mm
1-10-781-30	19 mm	50 mm
1-10-781-35	19 mm	55 mm
1-10-781-40	19 mm	60 mm

Schmale mittlere gezahnte Retraktor Valven
Small medial toothed retractor blades

	B – width	T – depth
1-10-782-05	19 mm	25 mm
1-10-782-10	19 mm	30 mm
1-10-782-15	19 mm	35 mm
1-10-782-20	19 mm	40 mm
1-10-782-25	19 mm	45 mm
1-10-782-30	19 mm	50 mm
1-10-782-35	19 mm	55 mm
1-10-782-40	19 mm	60 mm

Schmale stumpfe Retraktor Valven
Small blunt toothed retractor blades



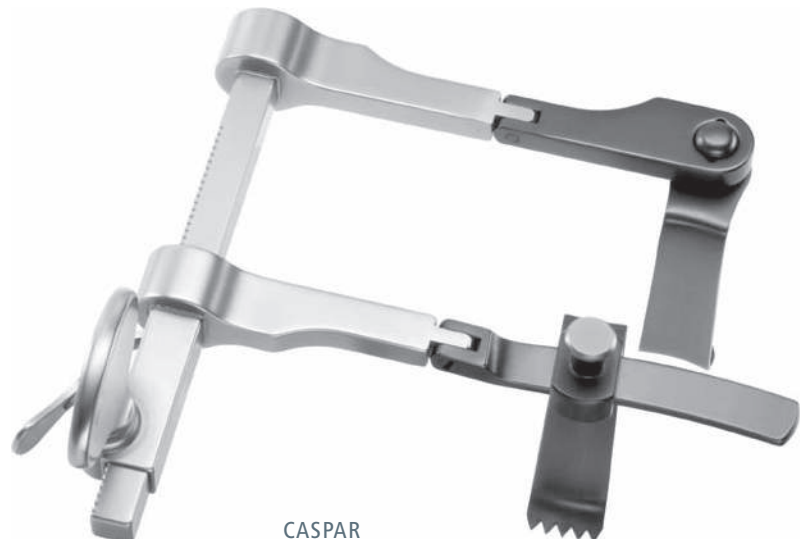
	B – width	T – depth
1-10-786-05	24 mm	50 mm
1-10-786-10	24 mm	60 mm

Gefensterte Valven
Fenestrated iliac blades



	Blattlänge – <i>blade length</i>
1-10-772-05	40 mm
1-10-772-10	45 mm
1-10-772-15	50 mm
1-10-772-20	55 mm
1-10-772-25	60 mm
1-10-772-30	65 mm
1-10-772-35	75 mm
1-10-772-40	80 mm
1-10-772-45	85 mm

CASPAR Wirbelsäulenspeculum, schwarz, TiAlN beschichtet
 CASPAR spine specula, black, TiAlN coated surface



CASPAR

1-10-775-00

Gegensperrer, schwarz-silber (ohne Valven)
 Counter retractor, black-silver (without blades)



	Blattlänge – blade length
1-10-773-05	40 mm
1-10-773-10	45 mm
1-10-773-15	50 mm
1-10-773-20	55 mm
1-10-773-25	60 mm
1-10-773-30	65 mm
1-10-773-35	70 mm
1-10-773-40	75 mm

CASPAR Valve medial, schwarz, TiAIN beschichtet
CASPAR blade, medial, black, TiAIN coated surface



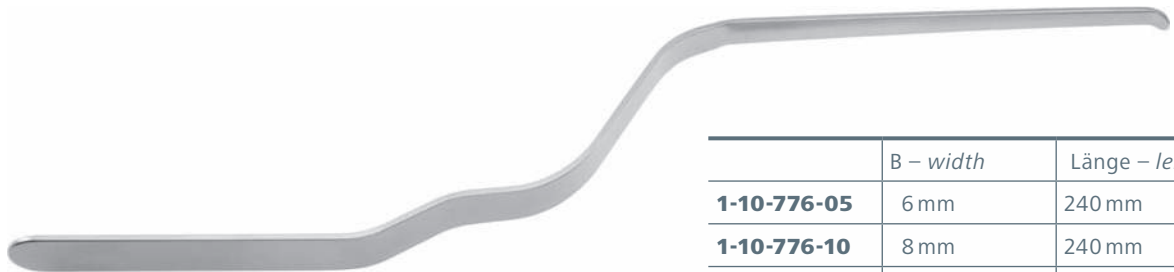
	Blattlänge – blade length
1-10-774-05	35 mm
1-10-774-10	40 mm
1-10-774-15	45 mm
1-10-774-20	50 mm
1-10-774-25	55 mm
1-10-774-30	60 mm
1-10-774-35	65 mm
1-10-774-40	75 mm
1-10-774-45	80 mm
1-10-774-50	85 mm

CASPAR Valve lateral, schwarz, TiAIN beschichtet
CASPAR blade, lateral, black, TiAIN coated surface



1-10-775-10

Entnahmepinzette für Valven
Retractor blade ejector



	B – width	Länge – length
1-10-776-05	6 mm	240 mm
1-10-776-10	8 mm	240 mm
1-10-776-15	10 mm	240 mm

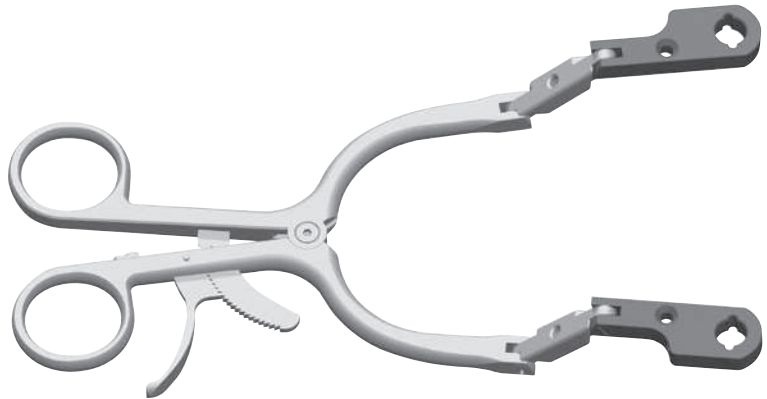
Nerven-Wurzel-Haken
Nerve root retractor

**CCR CASPAR Cervical Retractor****1-10-793-05**

CCR Basisretractor mit Doppelgelenk, distales Gelenk aus Titan, röntgendurchlässig
CCR basic retractor with double hinge, distal hinge out of titanium, radiolucent

**1-10-793-10**

CCR Gegensperrer distales Gelenk aus Titan, röntgendurchlässig
CCR counter retractor, distal hinge out of titanium, radiolucent

**1-10-793-15**

CCR Basis-Gegensperrer mit Doppelgelenk, distales Gelenk aus Titan, röntgendurchlässig
CCR basic counter retractor, double hinge, distal hinge out of titanium, radiolucent

**1-10-794-05**

Handgriff für Valven mit schwarzem Radelgriff (PPSU)
Handle for blades with black Radel handle (PPSU)

1-10-794-10

Tiefenmeßstab zur Bestimmung der entsprechenden Valvenlänge
Depth gauge to determine the appropriate blade length



CCR Valven (röntgendurchlässig)
CCR blades (radiolucent)

	B – width	T – depth
1-10-795-05	19 mm	25 mm
1-10-795-10	19 mm	30 mm
1-10-795-15	19 mm	35 mm
1-10-795-20	19 mm	40 mm
1-10-795-25	19 mm	45 mm
1-10-795-30	19 mm	50 mm
1-10-795-35	19 mm	55 mm
1-10-795-40	19 mm	60 mm
1-10-795-45	19 mm	65 mm
1-10-795-50	19 mm	70 mm
1-10-795-55	19 mm	75 mm

CCR Valve, 4-zahnig medial/lateral,
Titan, grün

CCR blade, 4 teeth medial/lateral,
titan, green



	B – width	T – depth
1-10-796-05	19 mm	25 mm
1-10-796-10	19 mm	30 mm
1-10-796-15	19 mm	35 mm
1-10-796-20	19 mm	40 mm
1-10-796-25	19 mm	45 mm
1-10-796-30	19 mm	50 mm
1-10-796-35	19 mm	55 mm
1-10-796-40	19 mm	60 mm
1-10-796-45	19 mm	65 mm
1-10-796-50	19 mm	70 mm
1-10-796-55	19 mm	75 mm

CCR Valve, stumpf längslaufend,
Titan, grün

CCR blade, blunt longitudinal,
titan, green

	B – width	T – depth
1-10-797-05	24 mm	25 mm
1-10-797-10	24 mm	30 mm
1-10-797-15	24 mm	35 mm
1-10-797-20	24 mm	40 mm
1-10-797-25	24 mm	45 mm
1-10-797-30	24 mm	50 mm
1-10-797-35	24 mm	55 mm
1-10-797-40	24 mm	60 mm
1-10-797-45	24 mm	65 mm
1-10-797-50	24 mm	70 mm
1-10-797-55	24 mm	75 mm

CCR Valve, 8-zahnig lateral, Titan, blau
CCR blade, 8 teeth lateral, titan, blue

	B – width	T – depth
1-10-798-05	24 mm	25 mm
1-10-798-10	24 mm	30 mm
1-10-798-15	24 mm	35 mm
1-10-798-20	24 mm	40 mm
1-10-798-25	24 mm	45 mm
1-10-798-30	24 mm	50 mm
1-10-798-35	24 mm	55 mm
1-10-798-40	24 mm	60 mm
1-10-798-45	24 mm	65 mm
1-10-798-50	24 mm	70 mm
1-10-798-55	24 mm	75 mm

CCR Valve, 5-zahnig medial, Titan, blau
CCR blade, 5 teeth medial, titan, blue



	B – width	T – depth
1-10-799-05	24 mm	25 mm
1-10-799-10	24 mm	30 mm
1-10-799-15	24 mm	35 mm
1-10-799-20	24 mm	40 mm
1-10-799-25	24 mm	45 mm
1-10-799-30	24 mm	50 mm
1-10-799-35	24 mm	55 mm
1-10-799-40	24 mm	60 mm
1-10-799-45	24 mm	65 mm
1-10-799-50	24 mm	70 mm
1-10-799-55	24 mm	75 mm

CCR Valve, stumpf longitudinal,
Titan, blau

CCR blade, blunt longitudinal,
titan, blue

